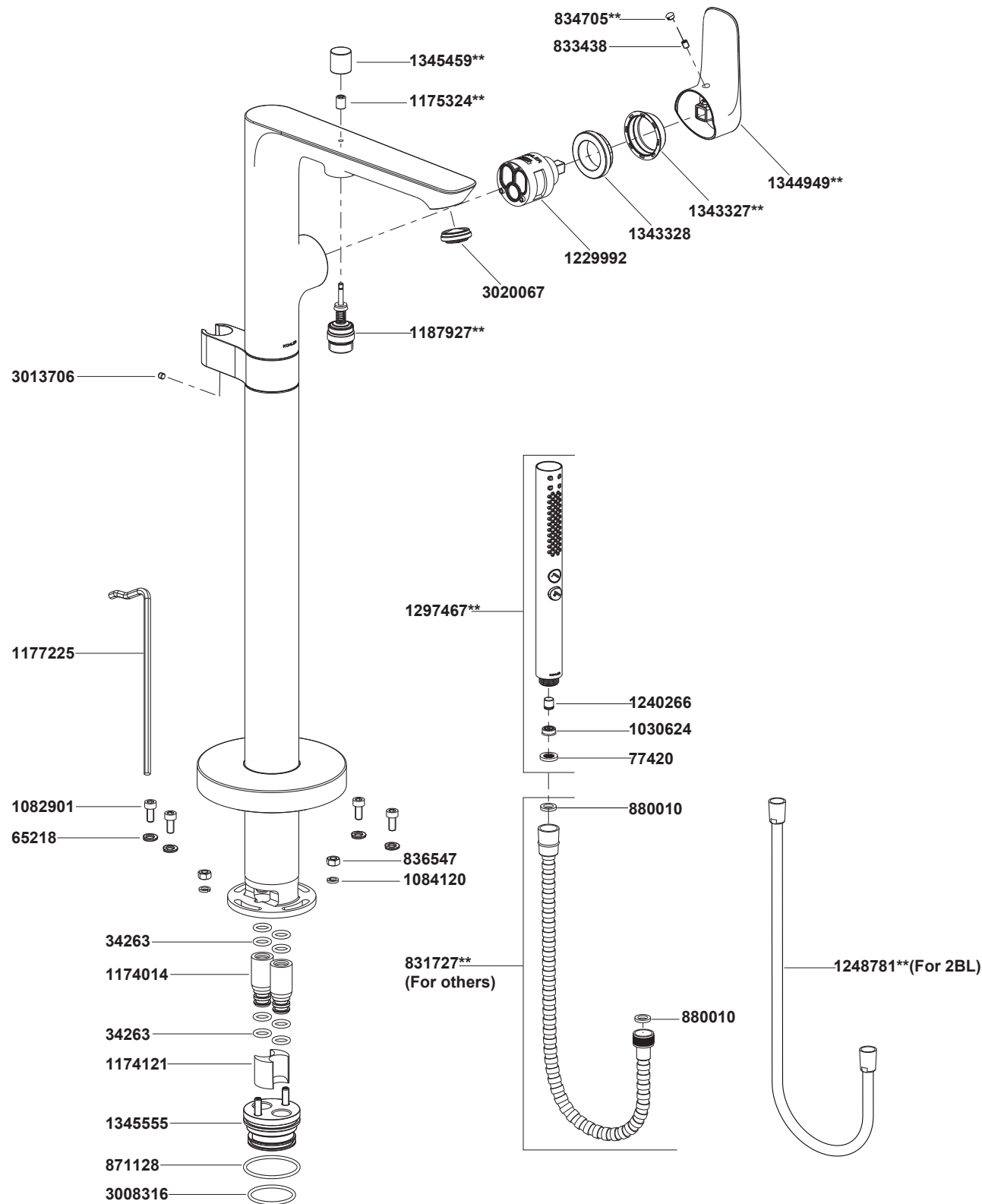


31239T-4 Floor Mount Bath Filler With Handshower(S)



**Color code must be specified when ordering.
NOTE: For all Asia pacific regions (excluding China) add SP (SPxxxxxx**) in front of the part number when ordering.

31239T-4 Floor Mount Bath Filler With Handshower(S)

BEFORE YOU BEGIN

All information is based on the latest product information available at the time of publication. Kohler Co. reserves the right to make changes in product characteristics, packaging, or availability at any time without notice.

Please leave these instructions for the consumer. They contain important information.

NOTES:

1. Flush the water supply pipes thoroughly to remove debris.
2. Inspect the supply tubing for damage. Replace as necessary.
3. Observe local plumbing codes.
4. The minimum inlet water pressure for the diverter is 0.05MPa(0.5bar).
5. Check for leaks before covering the pipes, repairs as needed.
6. The highest working pressure for handshower is 0.5MPa(5bar). If it exceeds 0.5MPa(5bar), a pressure reducer is needed. The highest water and environment temperature is 60°C. Please keep the handshower, shower head and shower arm away from heater, or it may become damaged and cause injury to the user.
7. Please purchase the matched mounting base 97904T-NA when install the faucet.

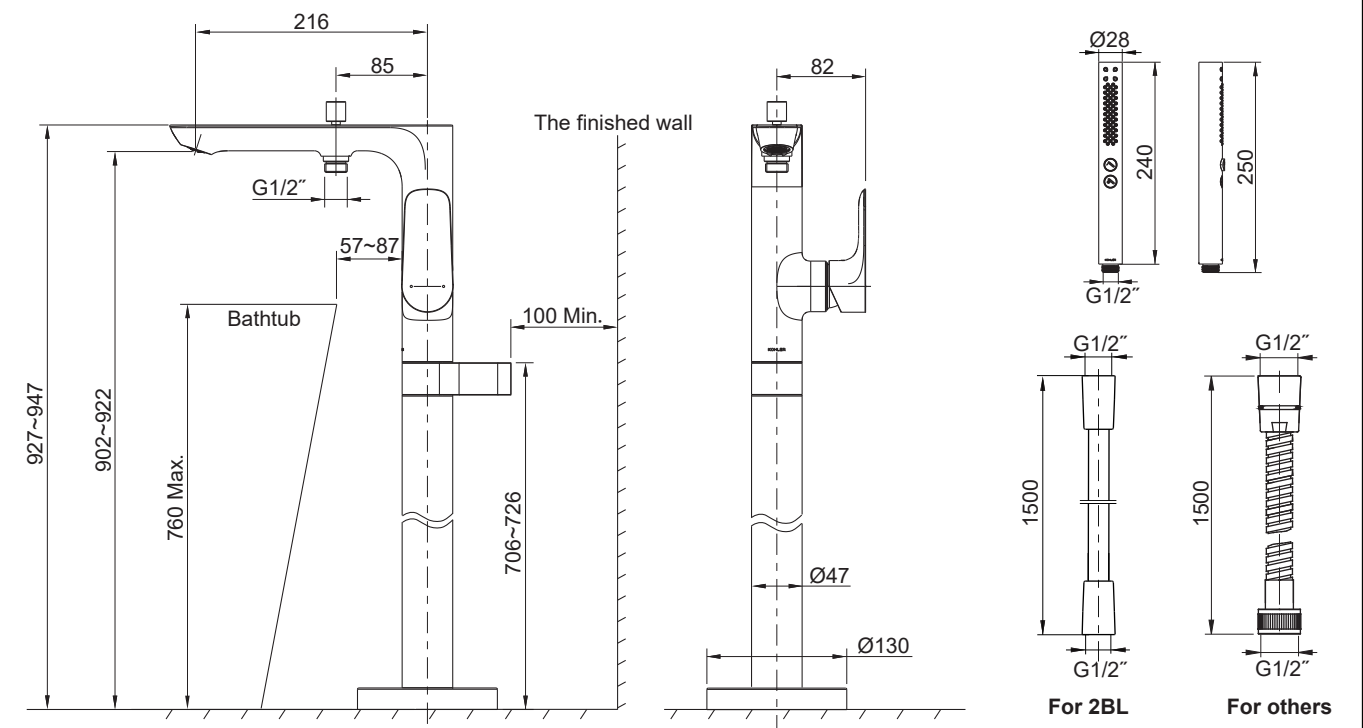
HANDLE OPERATION

Lift the handle gently. Turn clockwise for cold water, counter-clockwise for hot water. Water flows out from spout when faucet diverter is in the normal position. Lift the diverter knob gently, handshower will work.

STANDARD APPLICABLE

Special model meets or exceeds the following at date of manufacture: TIS

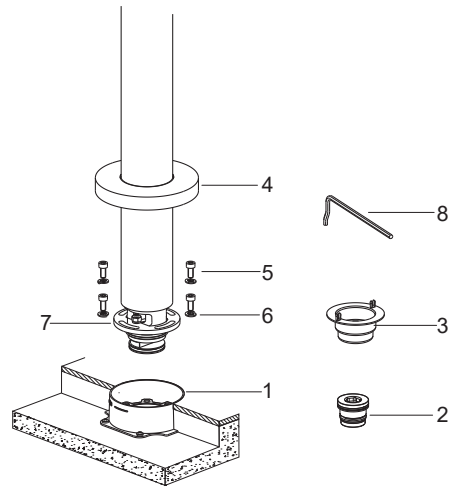
ROUGH-IN DIMENSIONS



INSTALLATION

How to Install the Faucet

Shut off water supply. Cut away the extending part of the base protector(1) in accordance with the tile surface. Remove plug(2) from base. Remove protector(3) from the faucet.



Slide up escutcheon kit(4). Install the faucet. **NOTE:** Keep the faucet vertical to base, to avoid damaging the o-ring on the bottom.

Keep the spout pointing to tub. Fix the faucet to the base with screws(5) and washers(6) through flange(7). Tighten the screws with hex wrench(8).

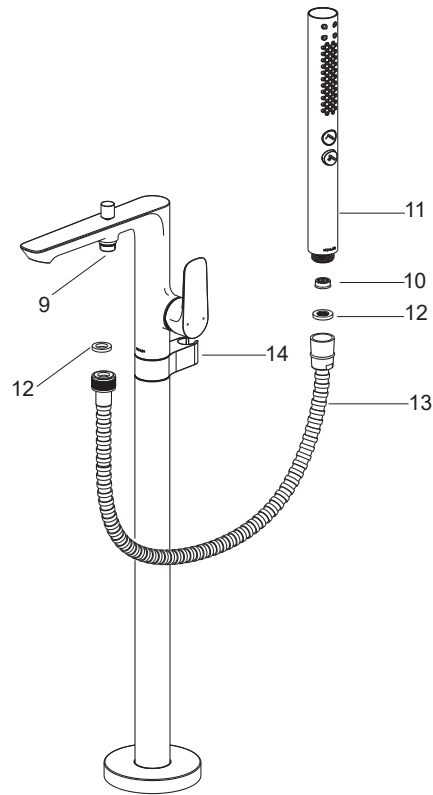
Slide down the escutcheon kit, make sure it against the finished floor.

How to Install the Handshower

Remove the protector from diverter kit(9).

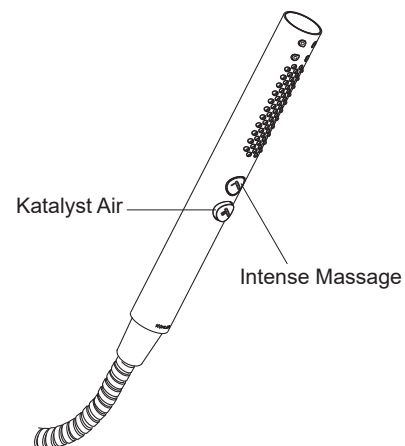
If needed, install the regulator(10) into the handshower(11) according to installation instruction. Put the washers(12) into the hose(13). Connect the diverter kit and handshower with the hose. Tighten all connections.

Hang the handshower on the bracket(14) of the faucet.



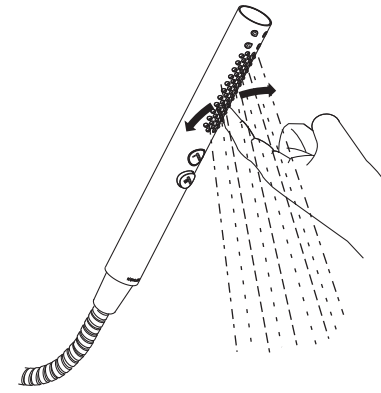
How to Operate the Handshower

Press the buttons of the handshower to change the water flow.

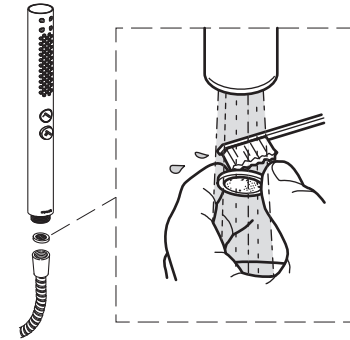


How to Maintain the Handshower

Any debris or mineral build-up may cause the flow stream to become distorted or reduce the flow rate. To remove the debris or mineral build-up, run water through the handshower, firmly press or rub your finger back and forth across the rubber nozzles.



Remove and clean the screen washer.

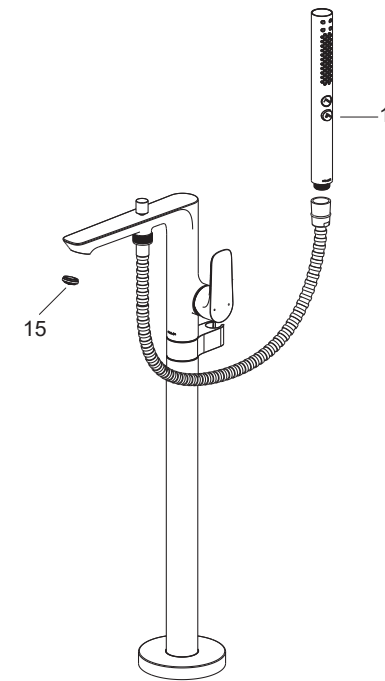


INSTALLATION CHECKOUT

Ensure that all coupling nuts are tight. Ensure that the handle is in the off position.

Turn on the main water supply, and check for leaks. Repair as needed.

Remove the handshower(11). Remove the aerator(15) with a coin. Turn on the faucet handle. Run hot and cold water through the spout for about one minute to remove any debris. Shut off the faucet. Reinstall the handshower and aerator.



CLEANING INSTRUCTIONS

All Finishes: Clean the finish with mild soap and warm water. Wipe entire surface completely dry with clean soft cloth. Many cleaners may contain chemicals, such as ammonia, chlorine, toilet cleaner etc. which could adversely affect the finish and are not recommended for cleaning.

Do not use abrasive cleaners or solvents on Kohler faucets and fittings.